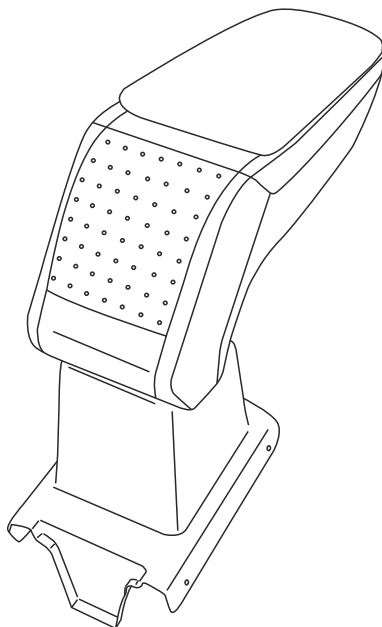




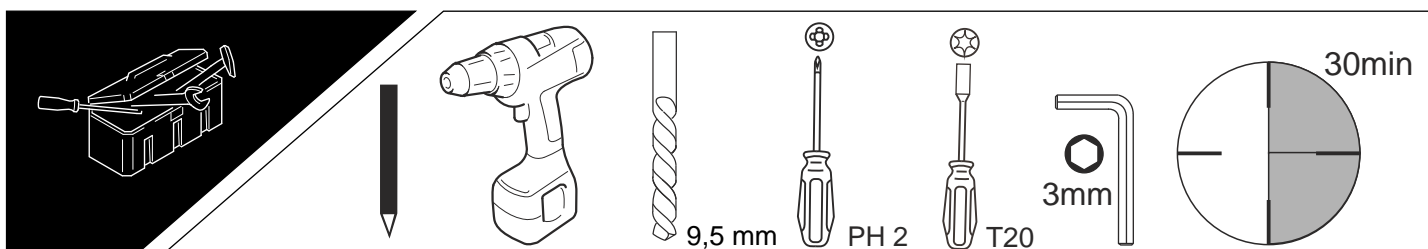
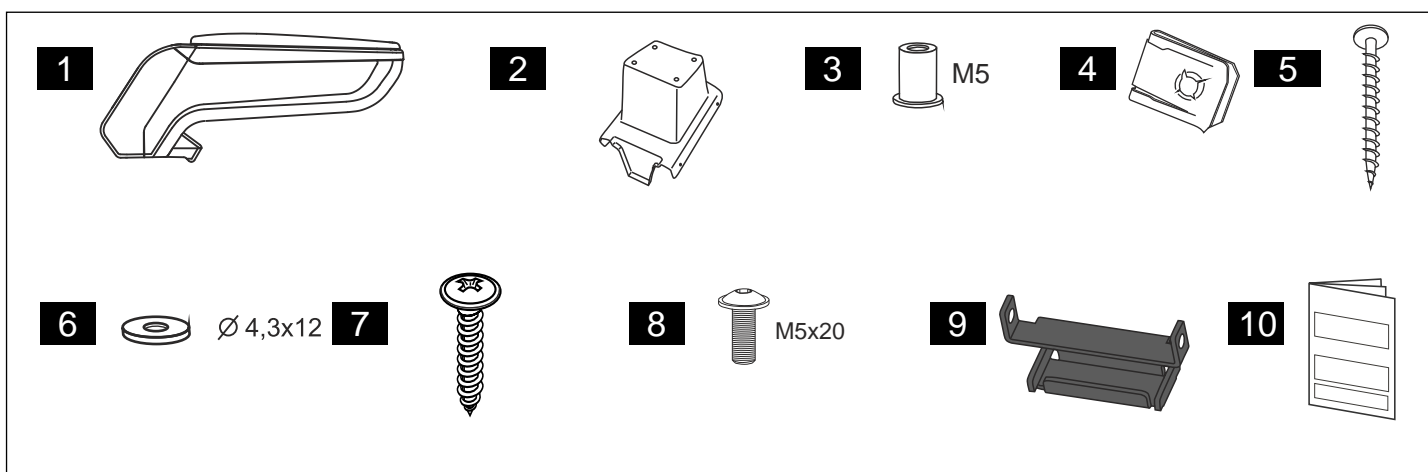
Part Number

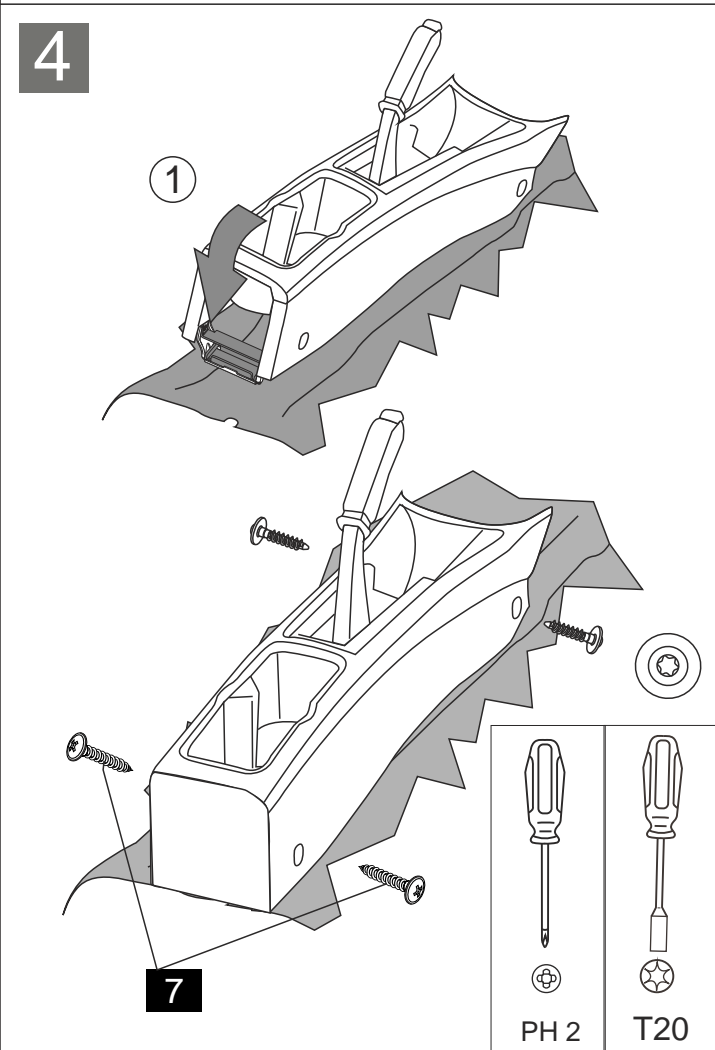
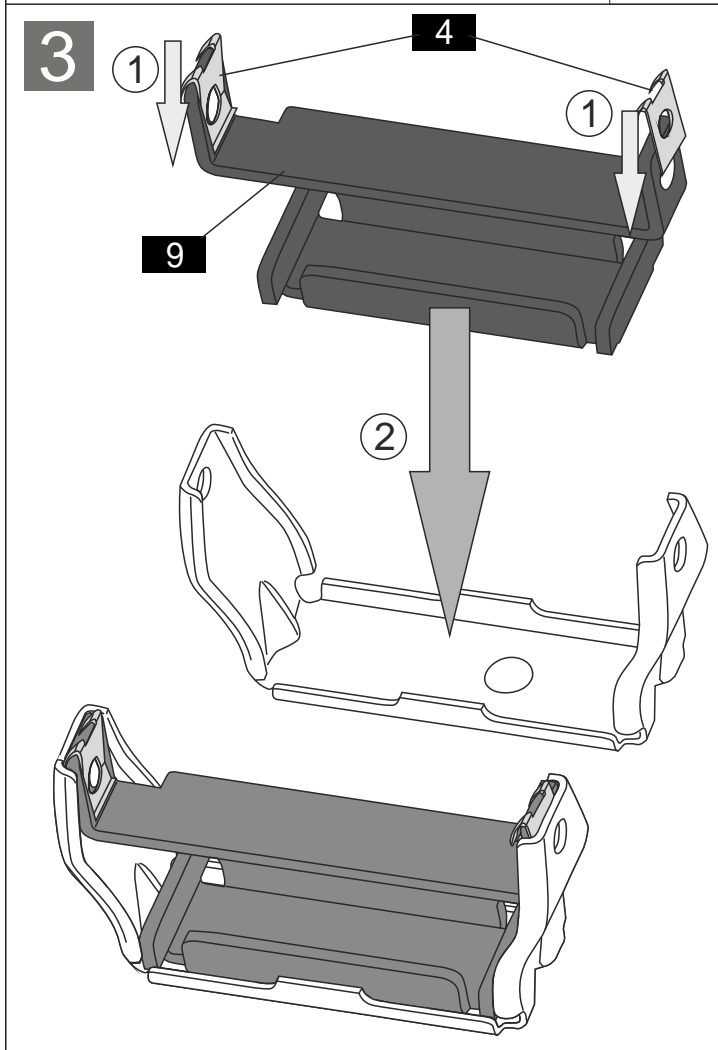
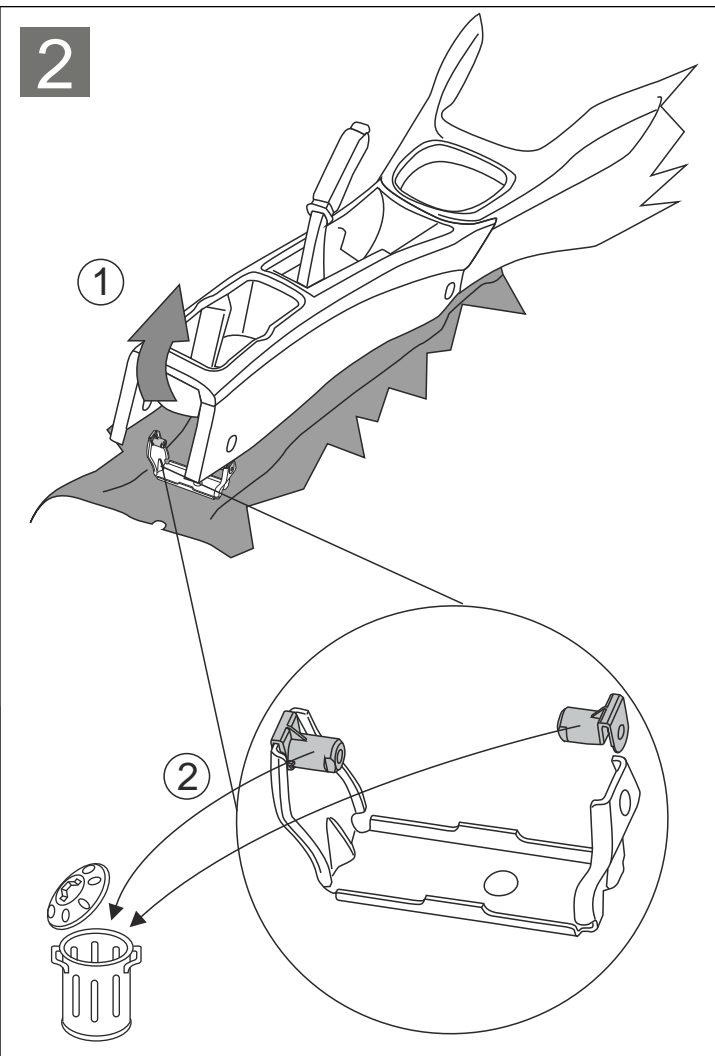
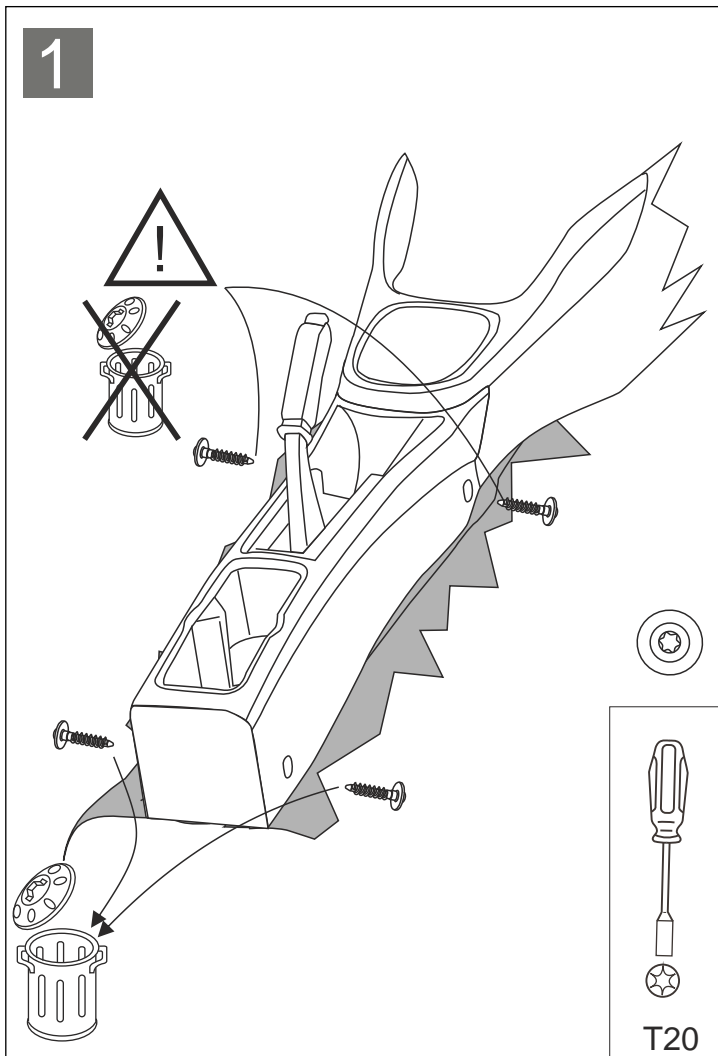
39046849



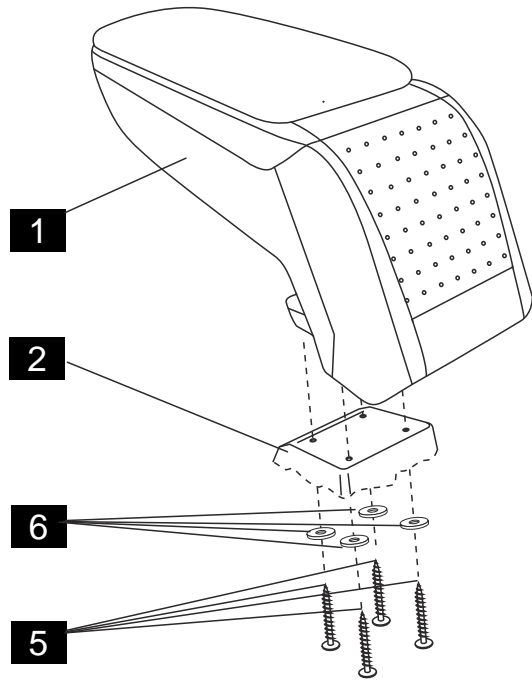
LIST OF PARTS

NO.	PART NAME	QTY.	NO.	PART NAME	QTY.	NO.	PART NAME	QTY.
1	ARMREST /39046850/	1	5	SHEET METAL SCREW St 3,9x25	4	9	BRACKET	1
2	ADAPTER /39046852/	1	6	WASHER 4,3x12	4	10	MOUNTING NOTE	1
3	RUBBERED RIVNUT	4	7	SHEET METAL SCREW St. 4,8x25	2			
4	SHEET METAL NUT	2	8	TRUSS HEAD SCREW M5x20	4			





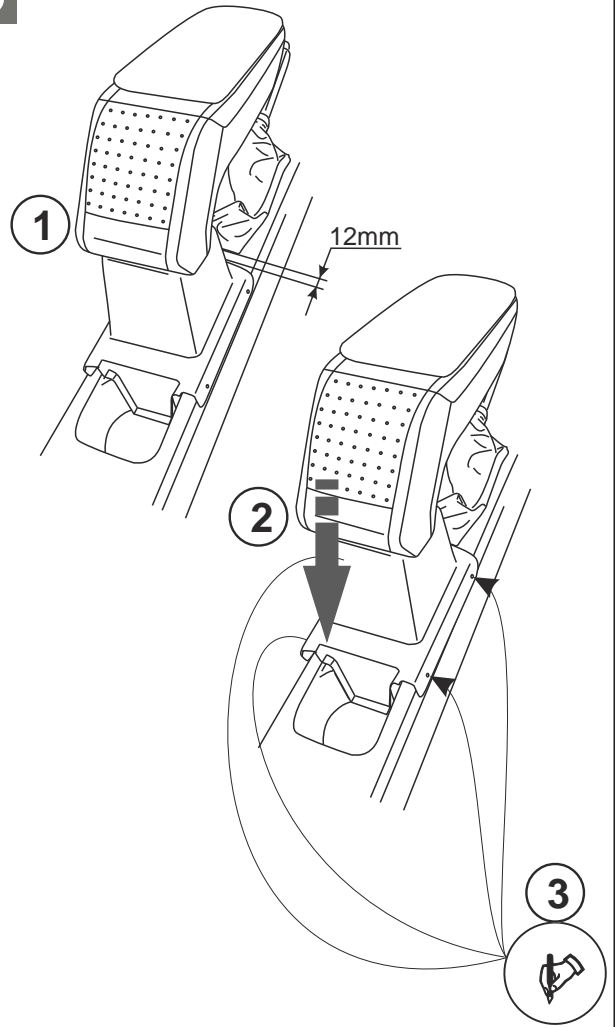
5



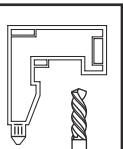
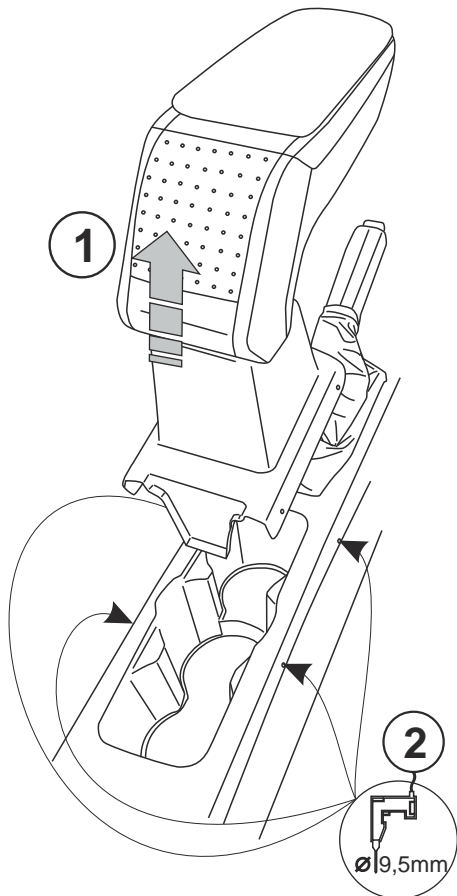
PH2



6

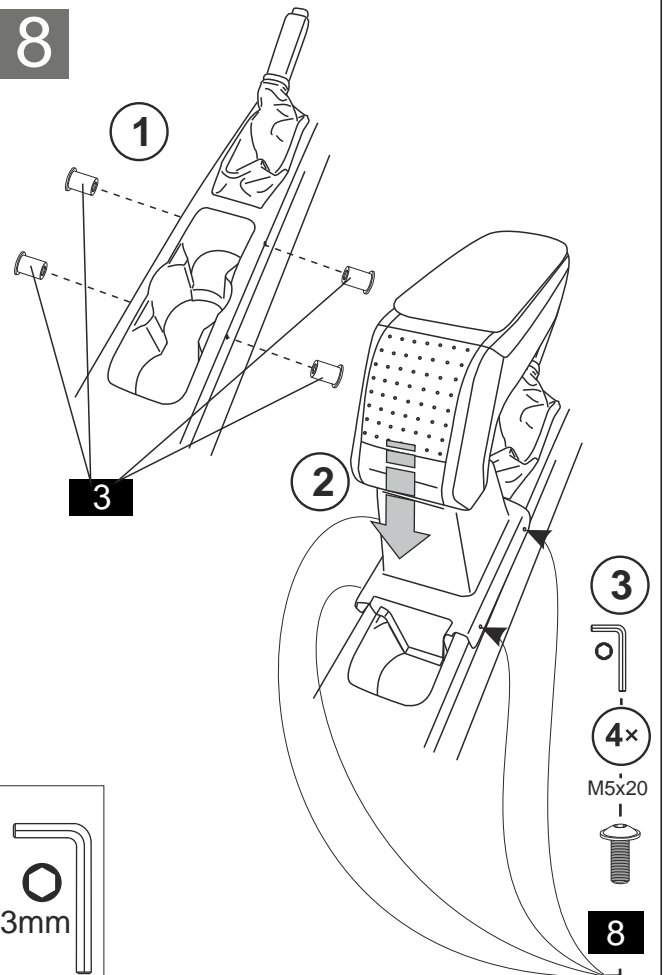


7



Ø9,5mm

8



3mm

3



4x

M5x20



8